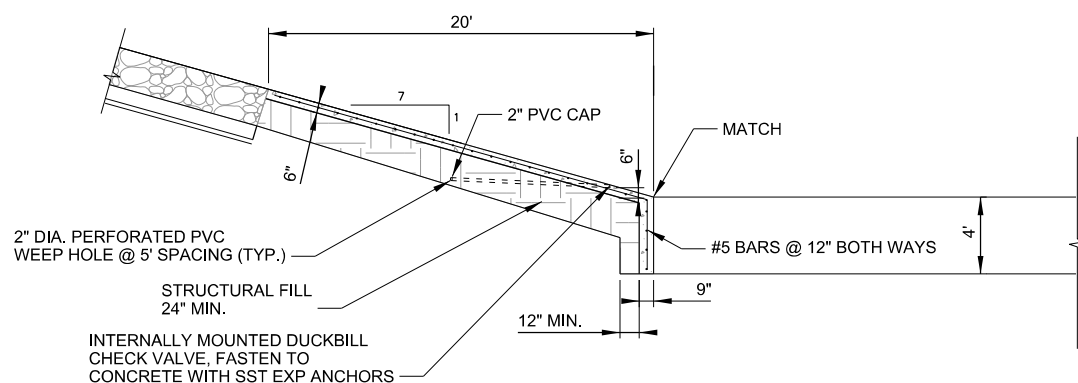


D

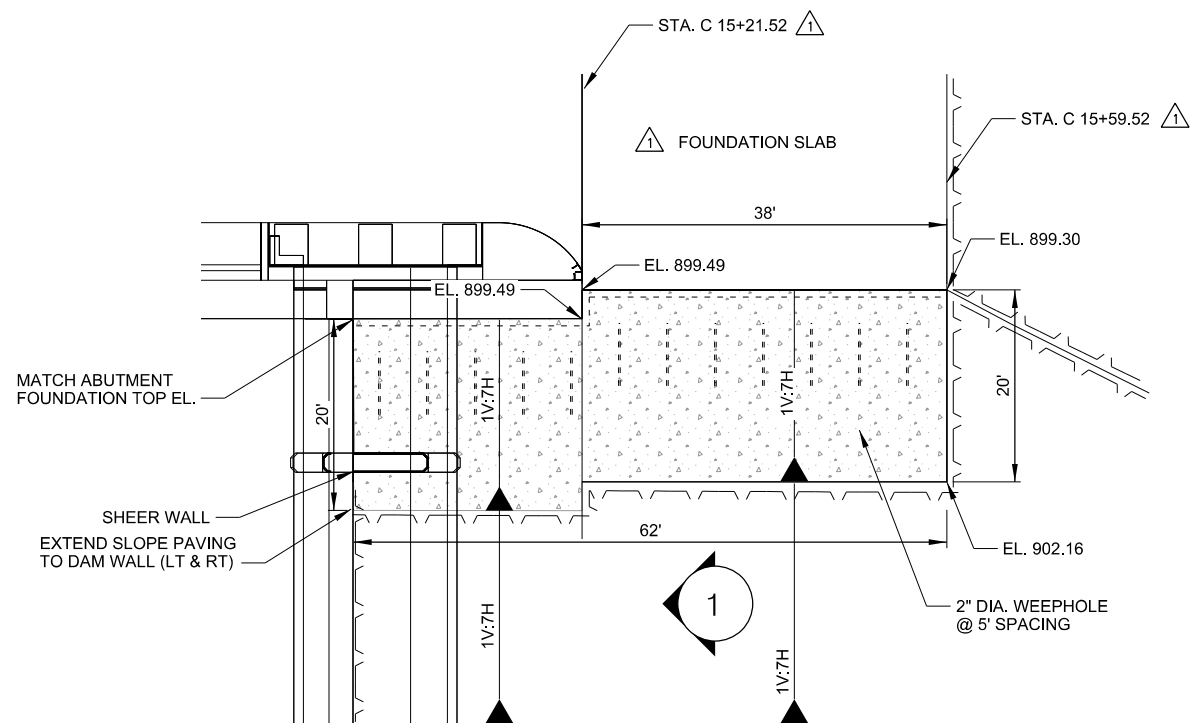
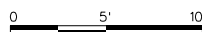
C

B

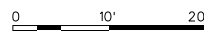
A



1 TYPICAL SECTION
SLOPE PAVING LT & RT



1 DETAIL
SLOPE PAVING



GENERAL NOTES:

1. PROVIDE SLOPE PAVING REINFORCING; #5 BARS 12" ON CENTER EACH WAY (NOT SHOWN FOR CLARITY).
2. PROVIDE 2" DIA. WEEP HOLES 5' SPACING, 6" ABOVE BOTTOM OF SLOPE.
3. EXTEND SLOPE PAVING TO DAM WALL (TYP. LT & RT).

ELEVATION DATUM (VERTICAL CONTROL): COORDINATE SYSTEM (HORIZONTAL CONTROL):
 NAVD 88 NAD 83 (2011)
 GEOID12A ND SPCS, SOUTH ZONE-U.S. SURVEY FT.
 COMBINED FACTOR (CF): 0.999956276



MARK	DESCRIPTION	DATE	APPR. MARK	DATE	DESCRIPTION
1	DWG REVISED WITH AMENDMENT NO. 0003	JULY 2016			

DESIGNED BY:	DATE:	SCALE:	CONTRACT NO.:
DRAWN BY:	DATE:	FILE NAME:	FILE NUMBER:
CHECK BY:	DATE:	ANSI D:	
IN CHARGE:	DATE:		
U.S. ARMY CORPS OF ENGINEERS	ST. PAUL DISTRICT	ST. PAUL, MINNESOTA	

FMM DIVERSION INLET STRUCTURE
 RED RIVER OF THE NORTH RIVER BASIN
 FARGO-MOORHEAD FLOOD RISK MANAGEMENT
 FARGO, ND
 DETAILS
 SLOPE PAVING DETAILS

Sheet ID
CS505